

**BID ALTERNATES:**

**BID ALTERNATE ONE INCLUDES:**  
 PARK B- LAWN, PARTIAL IRRIGATION (LAWN AREA ONLY), CAPPED STUB OUT FOR ALL FUTURE VALVES FOR OTHER LOCATIONS, DECOMPOSED GRANITE PATH AND CHAIN LINK FENCE WITH A SINGLE GATE.

**BID ALTERNATE TWO**  
 PARK B- REMAINDER OF ALL ITEMS

2432

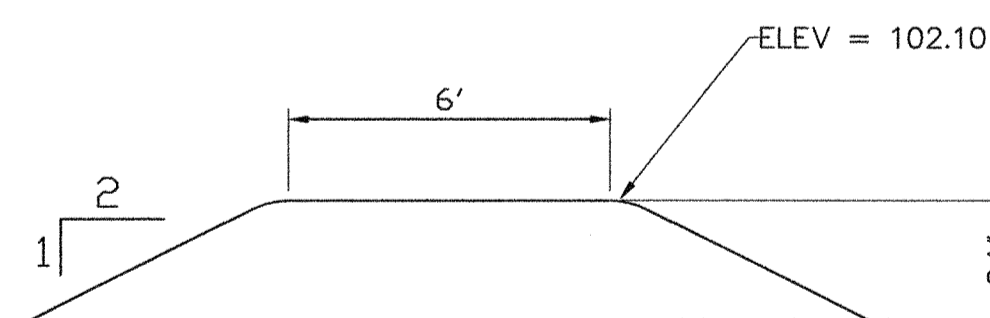
**DEMOLITION NOTES**

1. CLEAR AND GRUB ALL EXISTING VEGETATION AS SHOWN ON THIS PLAN BETWEEN NEW FENCE AND BACK OF SIDEWALK WITH EXCEPTION OF ITEMS NOTED TO REMAIN. BEFORE COMMENCEMENT OF CLEARING AND GRUBING REVIEW THIS PLAN WITH THE ENGINEER AT THE SITE.
2. REMOVAL AND DISPOSAL OF THE EXISTING MATERIAL WILL BE THE RESPONSIBILITY OF THE CONTRACTOR.
3. DO NOT REMOVE TREES AND SHRUBS FROM EAST OF THE PROPOSED FENCE.

**GRADING AND DRAINAGE NOTES**

1. MAINTAIN POSITIVE DRAINAGE FROM DG PATH TO EXTERIOR LANDSCAPING THROUGHOUT.
2. MINIMUM GRADING IS REQUIRED. CONTRACTOR TO ENSURE NO SURFACE RUNOFF WILL BE DIRECTED TO NEIGHBORING PROPERTIES OR ALLOWED TO POND ON SITE.
3. ANY EXCESS MATERIAL FROM STRIPPING OF THE 4" OF SOIL FROM PLANTING STRIP AND ANY OTHER AREA OF THE PARK SHALL BE USED FOR FILL AREA AS DIRECTED BY THE ENGINEER.
4. ANCHOR BIKE RACK TO 3'X6'X.5' CONCRETE PAD.

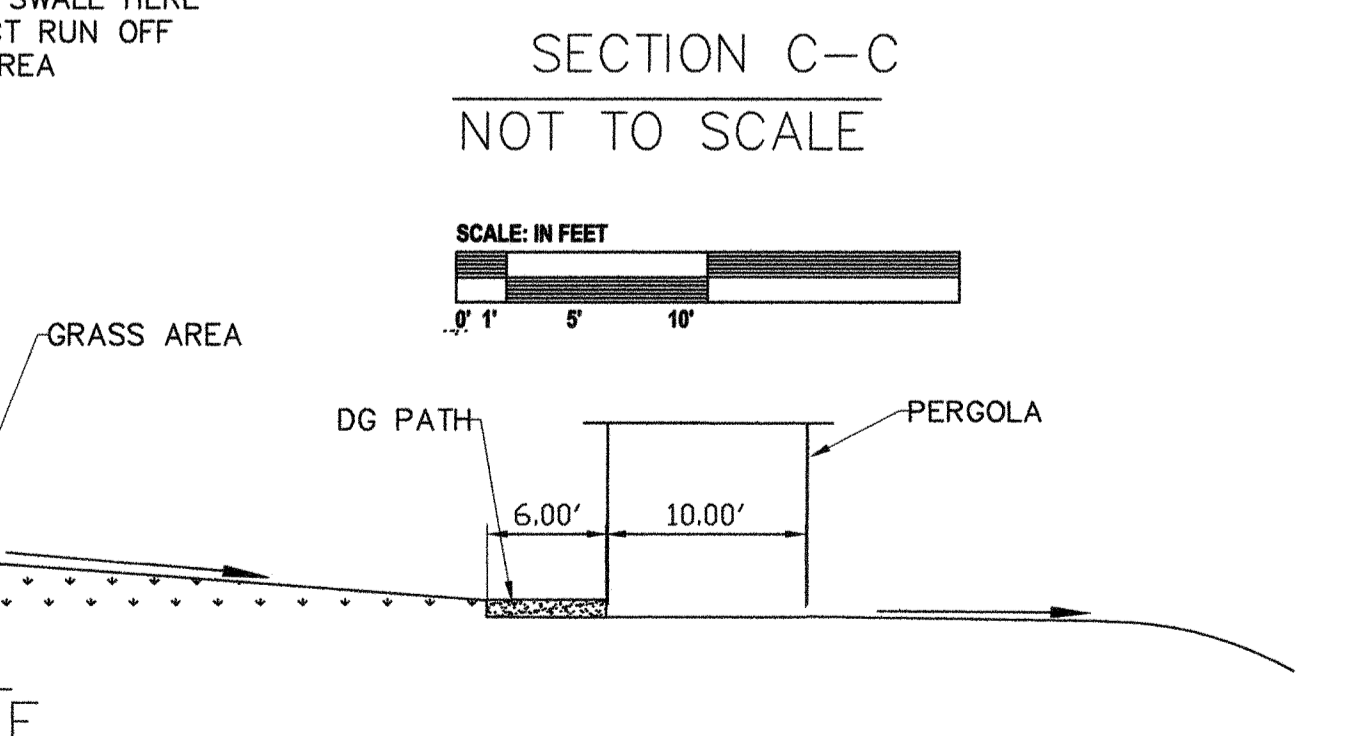
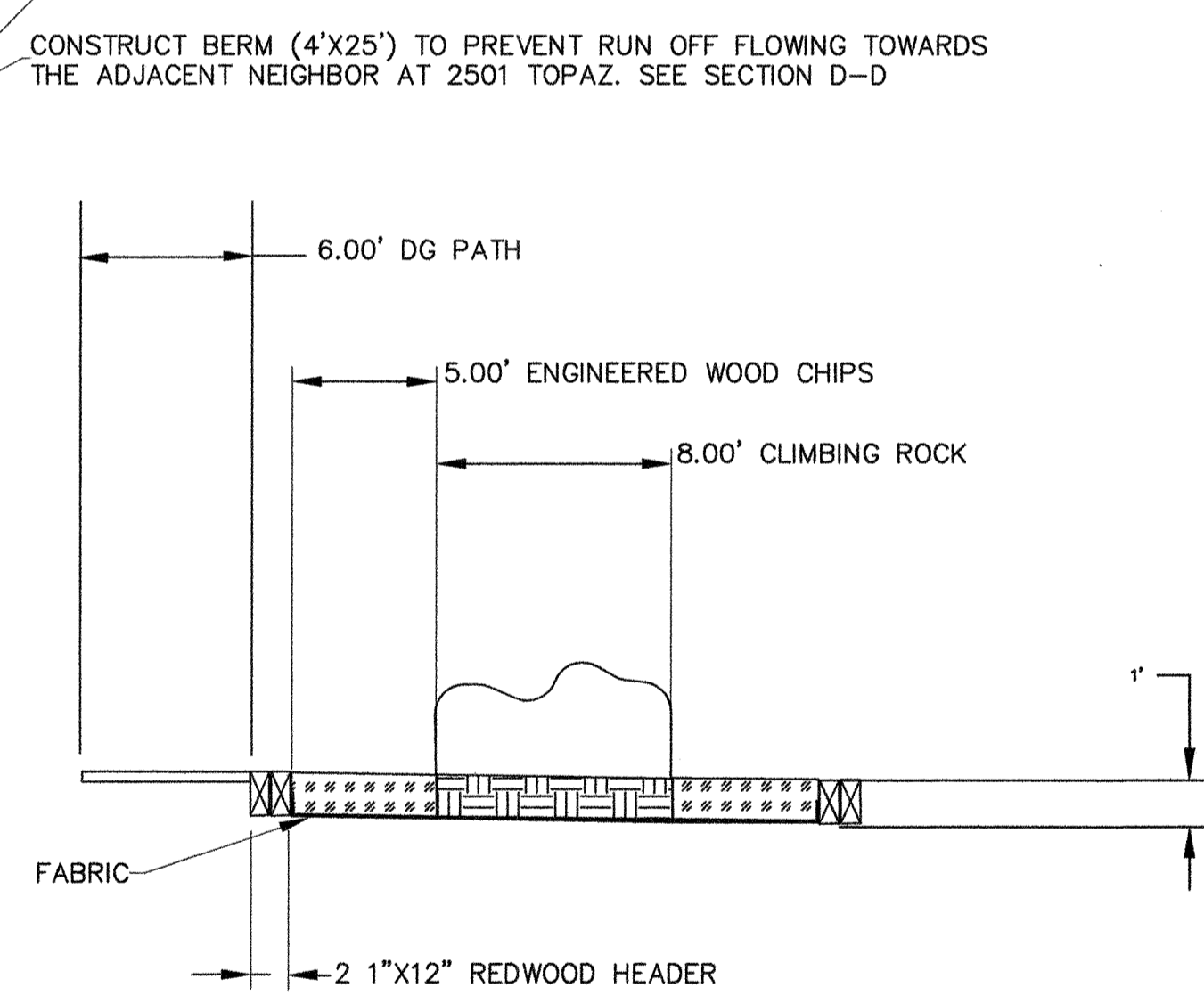
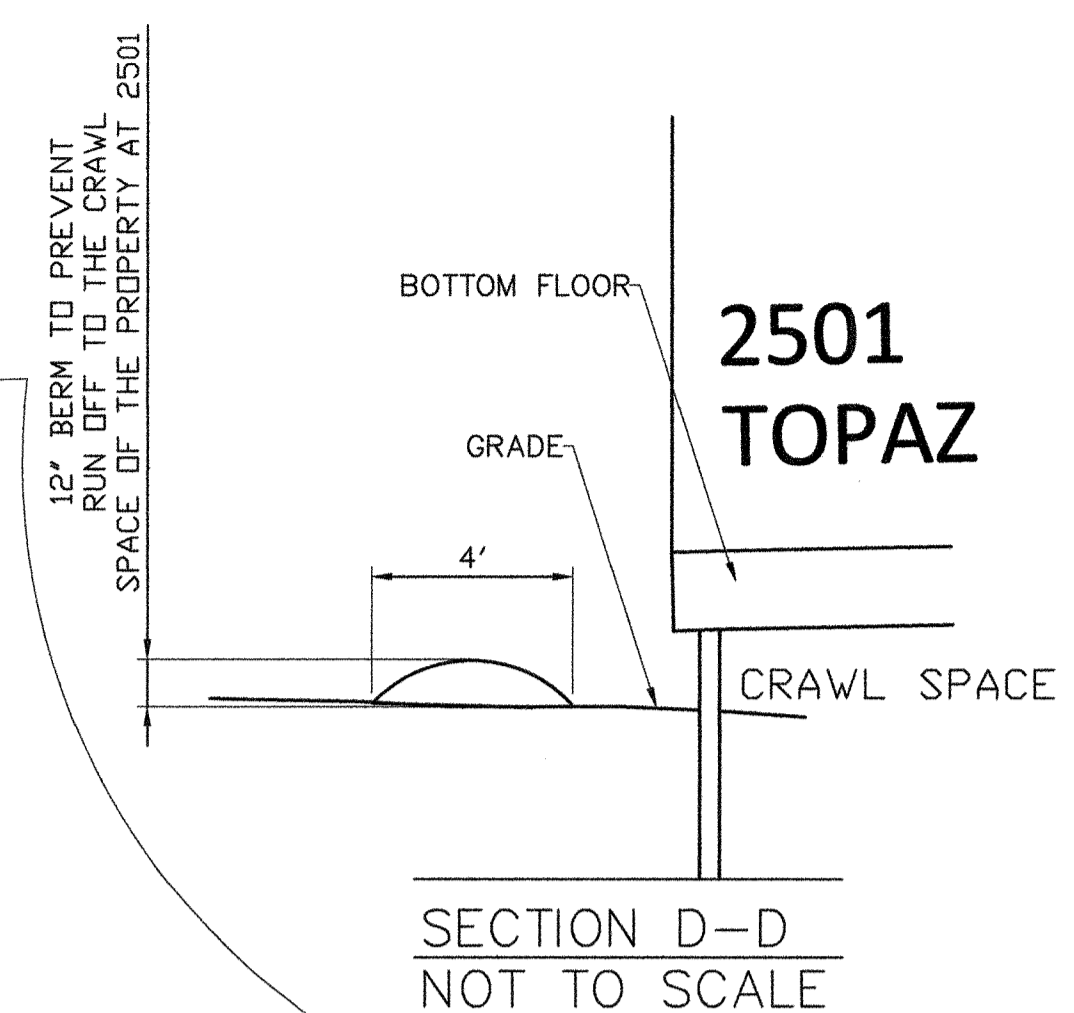
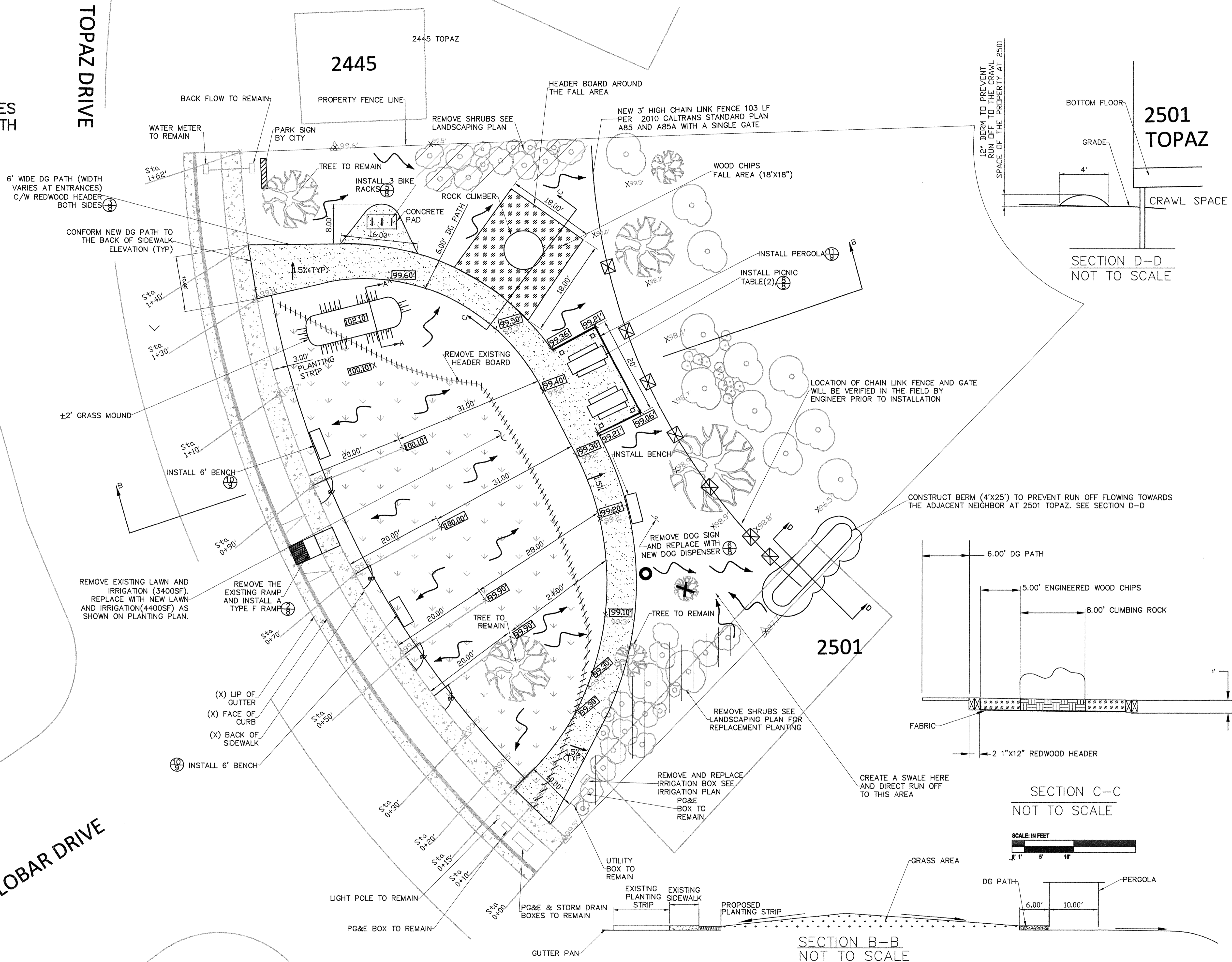
2436



SECTION A-A  
NOT TO SCALE

MALOBAR DRIVE

TOPAZ DRIVE



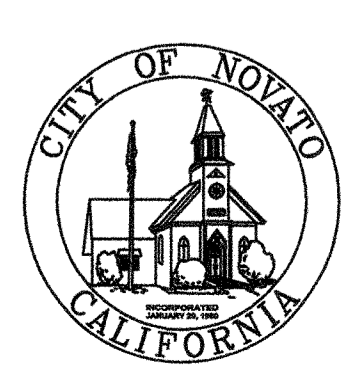
SECTION C-C  
NOT TO SCALE

SECTION B-B  
NOT TO SCALE

SCALE: IN FEET  
0' 5' 10'

8			
7			
6			
5			
4			
3			
2			
1			
Number	Date	Description	By

Drawn By:	ML
Designed By:	ML
Checked By:	J.S.
Scale:	1" = 10'



City of Novato  
 Department of Public Works  
 Engineering Division

Submitted: *[Signature]* 6-8-16  
 Engineering Manager  
 Approved By: *[Signature]* 6-9-16  
 City Engineer Date



**BAHIA MINI PARKS IMPROVEMENTS**  
**GRADING, DRAINAGE AND CONSTRUCTION PLAN - PARK B**

Date	April 2016
Sheet	2 of 9
Project No.	15-004